

Setting up the unit

DAV700/750 SL-Ecosil/T

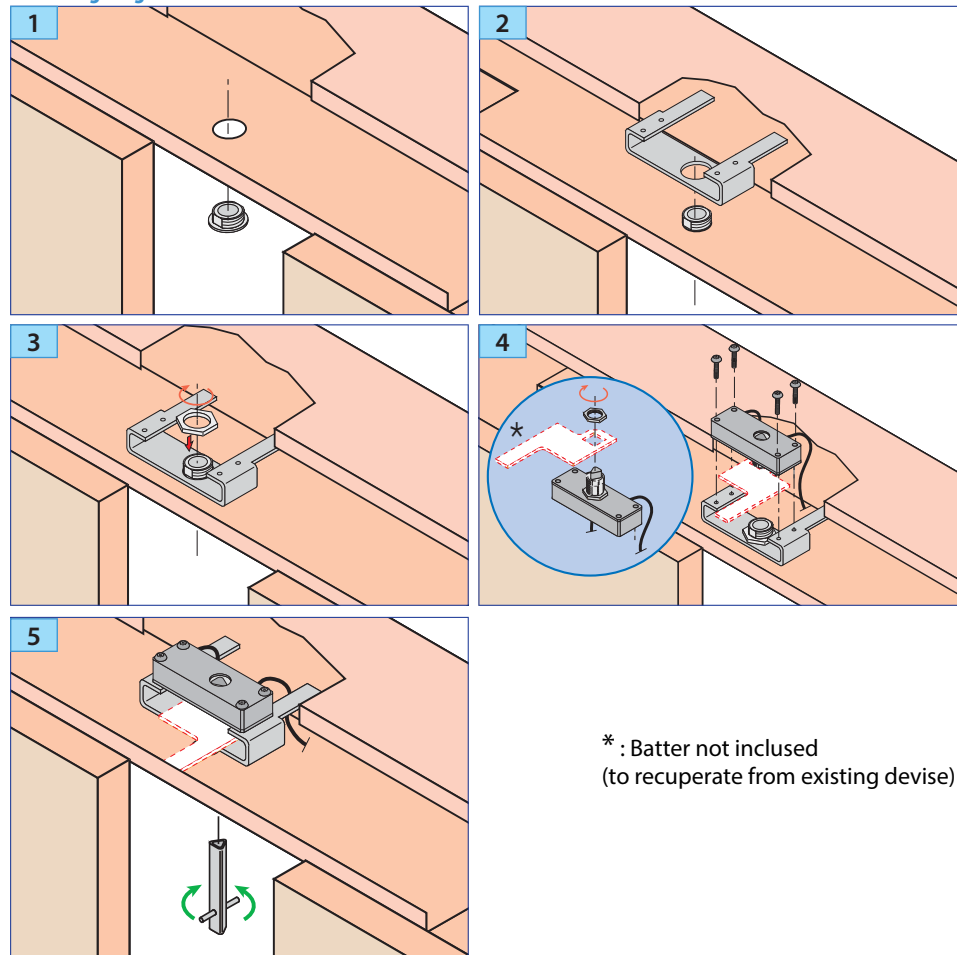
DAV800/850 SL-Ecosil/T

DEX SL-Ecosil/T

Tri SL-Ecosil/T

MDV21 SL-Ecosil/T

Mounting stages



* : Batter not included
(to recuperate from existing devise)

DAV - DEX

WIRING (DAV) :

- ② : 3 wires (inverse contact) :
black (common) ; gray (NO) ; blue (NC).
- ③ : 2 wires : supply 24 V dc.

MDV21

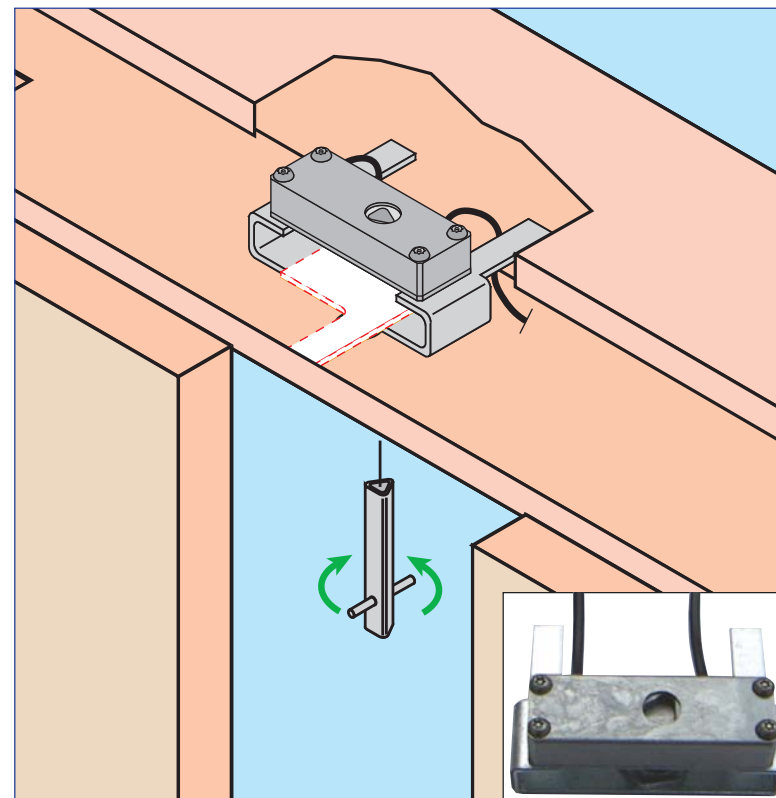
WIRING (MDV21) :

- ① : monostable security contact
- ② : Microswitch
- ③ : Option EN81-71.



Works with a
bistable rearming
Controller ARM/
MDV21.

- Electromechanical anti vandal unlocking (type Slycma ECOSIL, fixed on the crossbar).
- Double door-opening detector (type Slycma ECOSIL, fixed on the crossbar) Conformity with EN81.21, EN81.21 + EN81.71



Supplies :

Set DAV SL Ecosil/T + screws or DEX SL Ecosil/T + screws or Tri SL Ecosil/T + screws or MDV21 SL Ecosil/T + screws.

Optional :

PLEASE, BEFORE INSTALLATION, READ IT CAREFULLY.

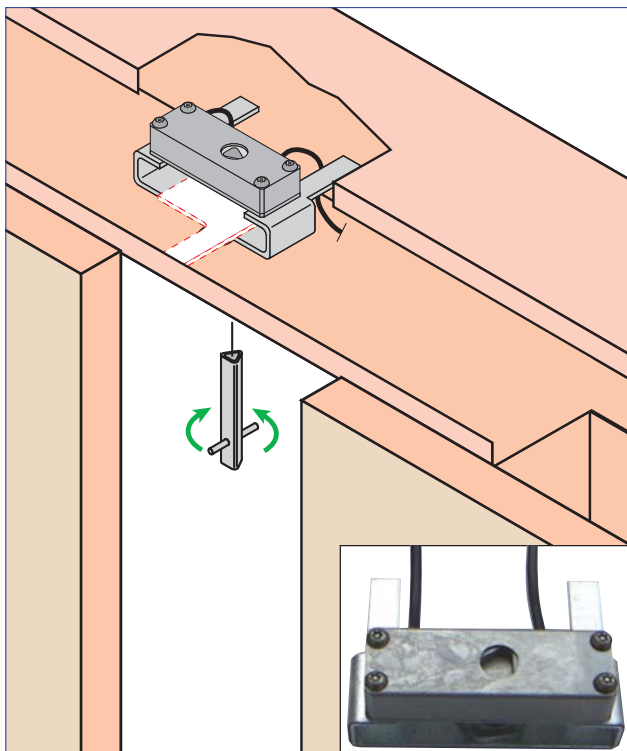
prudhomme S.a

Matériel spécifique pour ascenseurs - specific parts and components for elevators

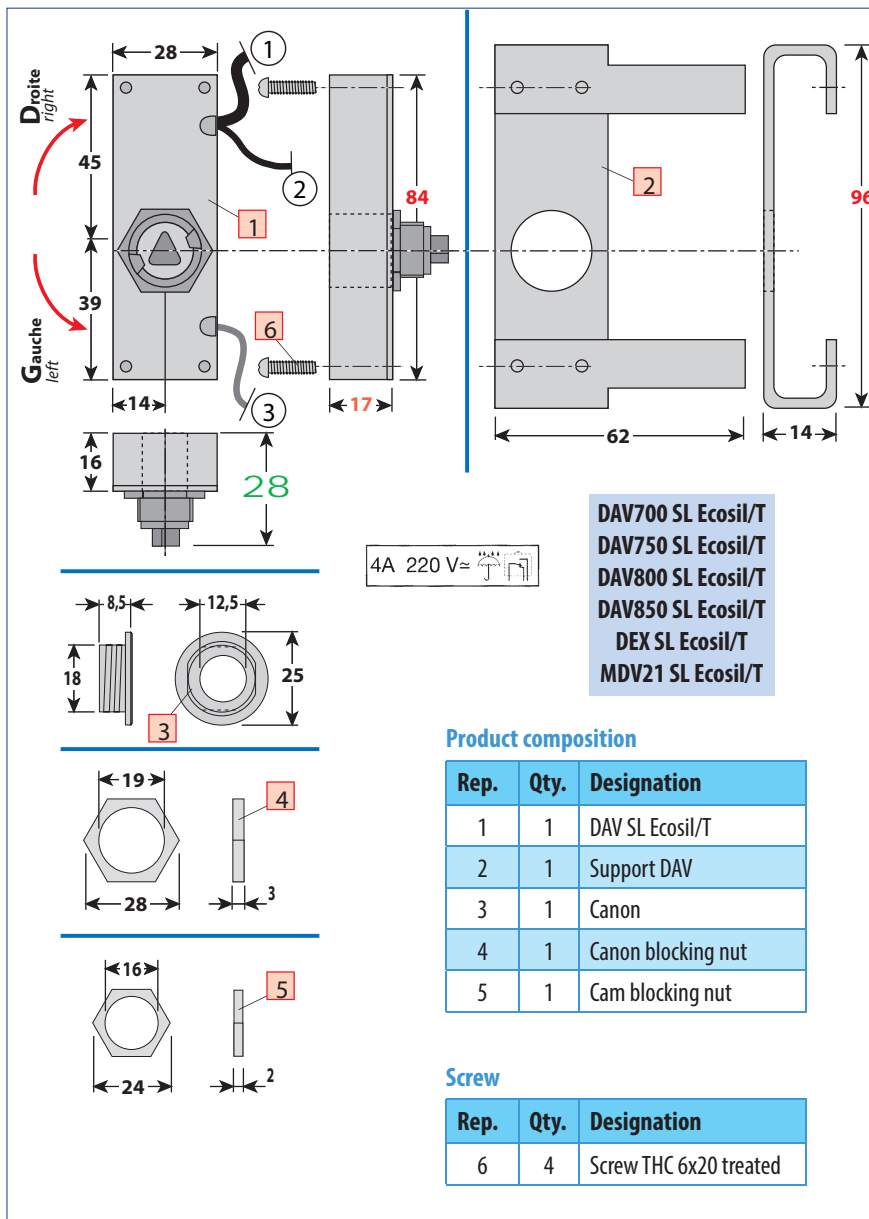
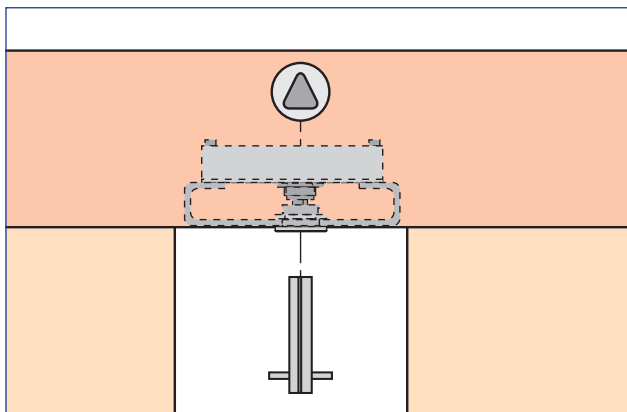
prudhomme S.a

38, Rue Charles de Gaulle F
94140 Paris/Alfortville
www.prudhomme.com
Tél. : +33 01 45 18 19 20
Fax : +33 01 45 18 19 21

- Double door-opening detector (type Slycma Ecosil-T) Conformity with EN81.21, EN81.21 + EN81.71



New installation and Renovation



DAV - DEX

- **DAV700 SL Ecosil/T** (24 V dc - 100 mA) : Locking only, **Switched on** : device blocking.
- **DAV750 SL Ecosil/T** (24 V dc - 100 mA) : Locking only, **Switched off** : device blocking.
- **DAV800 SL Ecosil/T** (24 V dc - 100 mA) : Switched on, mechanical sticking accessible to the triangle (impossible to use the unlocking key of the lock).
- **DAV850 SL Ecosil/T** (24 V dc - 100 mA) : Switched off, mechanical sticking accessible to the triangle (impossible to use the unlocking key of the lock).
- **DEX SL Ecosil/T** (microswitch) : inverse contact for buzzer.

WIRING (DAV) :

- ② : **3 wires** (inverse contact) :
black (common), **gray** (no) **blue** (NC)
- ③ : **2 wires** : feeding 24 V dc

MDV21

WIRING (MDV21) :

- ① : monostable security contact
- ② : Microswitch
- ③ : Option EN81-71.

Works with a bistable rearming Controller ARM/MDV21.